



Proudly Distributed By

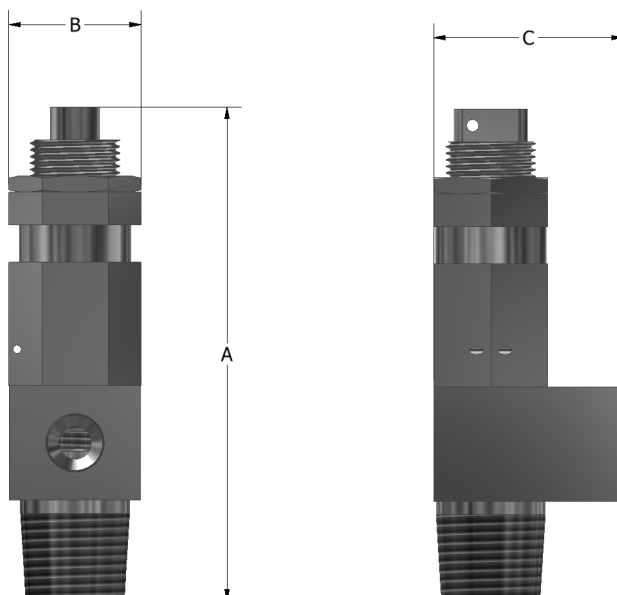
TRIDENT AUSTRALIA
FLUID SYSTEMS & COMPONENTS

OPERATION

The Ruelco RV-2 High Flow Relief Valve is a stainless steel, soft seat, poppet relief valve capable of relieving pressures from 50 psi to 400 psi. The size of the valve makes it ideal for small spaces while the stainless steel construction allows the valve to operate in highly corrosive systems.

FEATURES

- 316 stainless steel construction
- Externally adjustable
- Three Ranges for precise adjustment
- Liquid and Gas Service
- 100% tested
- Compact design



DIMENSIONS

A	3.75" (95.25 mm)
B	1.00" (25.4 mm)
C	1.50" (38.1 mm)
INLET PORT SIZE	1/2" MNPT
OUTLET PORT SIZE	1/4" FNPT
WEIGHT	.65 LBS (.29 Kg)

SPECIFICATIONS

MAXIMUM WORKING PRESSURE	2,500 PSI (172.4 BAR)
AMBIENT TEMPERATURE RANGE	-20° TO 250° F
	-29° TO 121° C
RESET	± 15% OF RANGE
ACCURACY	± 5% OF SETPOINT
Cv	.41

HIGH FLOW RELIEF VALVE

PHONE: 504-340-0055
FAX: 504-340-0056
EMAIL: SALES@RUELCO.COM

1209 DISTRIBUTORS ROW
NEW ORLEANS, LA 70123



Proudly Distributed By

TRIDENT AUSTRALIA
FLUID SYSTEMS & COMPONENTS

PARTS LIST

ITEM	QUANTITY	DESCRIPTION	MATERIAL
1	1	SPRING CAP	316 ST. STL.
2	1	LOCK NUT	316 ST. STL.
3	1	SPRING HOUSING	316 ST. STL.
4	1	SPRING	SPRING WIRE
5	1	SPRING PLATE	316 ST. STL.
6*	1	BODY SEAL	NITRILE
7	1	RELIEF VALVE BODY	316 ST. STL.
8	1	SEAL GUIDE	316 ST. STL.
9*	1	HEAD SEAL	FLUROCARBON
10	1	OUTER SLEEVE	316 ST. STL.
11*	1	PISTON SEAL	NITRILE
12	1	PISTON	17-4 PH ST. STL

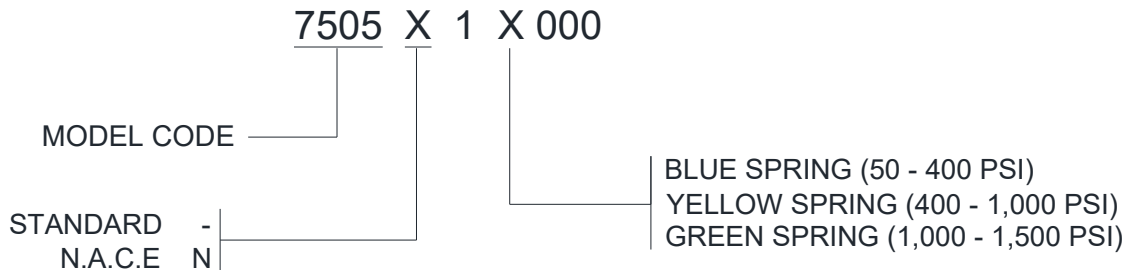
* INDICATES ITEMS IN THE REPAIR KIT

REPAIR KIT

- 75-043-000

OTHER TEMPERATURE RANGES AND SEAL COMPOUNDS AVAILABLE UPON REQUEST

ORDERING CODE



PHONE: 504-340-0055
FAX: 504-340-0056
EMAIL: SALES@RUELCO.COM

1209 DISTRIBUTORS ROW
NEW ORLEANS, LA 70123

HIGH FLOW RELIEF VALVE